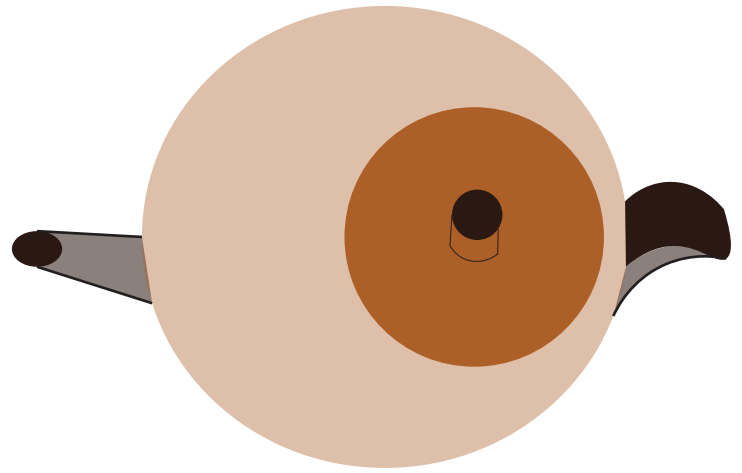
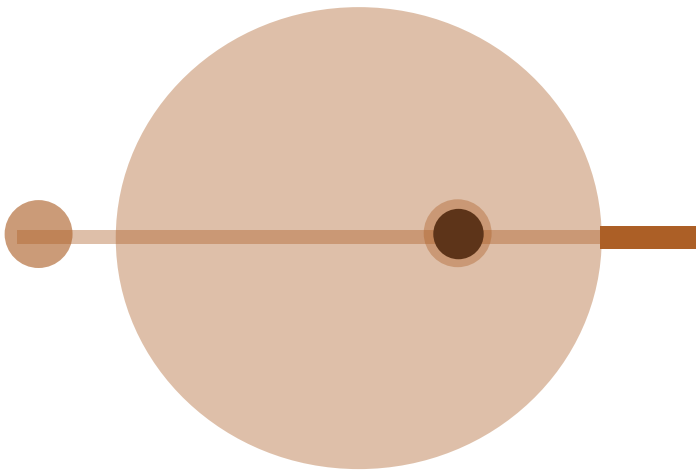


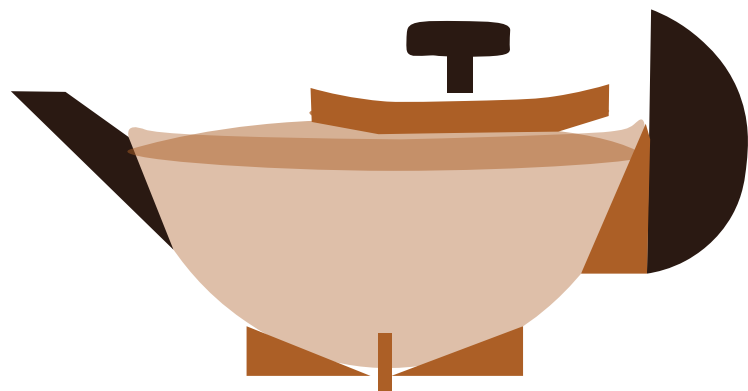
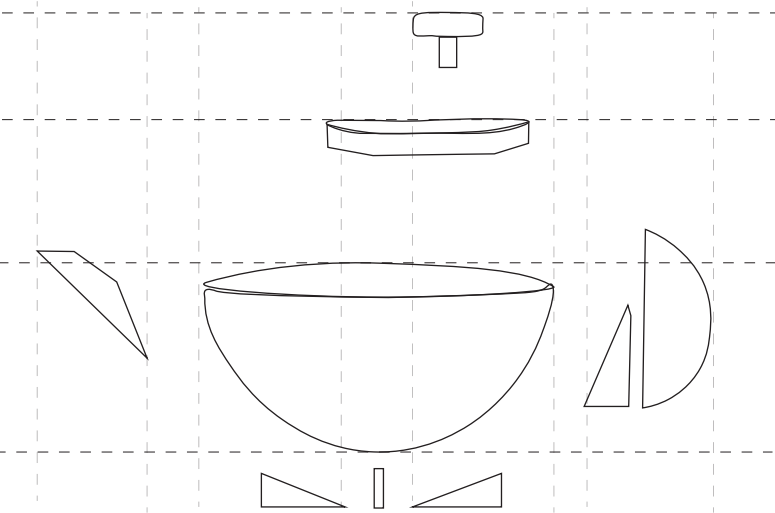
Tee-Extraktkannchen MT 49

1924

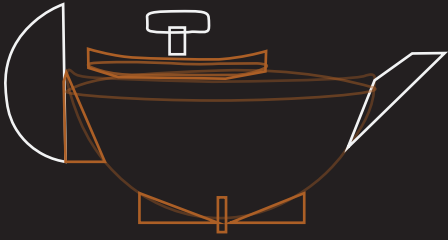




Tee-Extraktkannchen MT 49



Tea-pot with infuser; silver, with hemispherical hand-raised body set on a cross-shaped foot, a D-shaped ebony handle and flat lid set off-centre with a cylindrical ebony silver-topped knob; the original pierced silver infuser with handle is designed to fit neatly inside the top opening.



BAUHAUS

Marianne Brandt was the only woman to receive her degree in metal at the Bauhaus.

a tea extractor made of ebony
and bronze and silver, accurately designed
in the Bauhaus shapes: circle, triangle, square.

